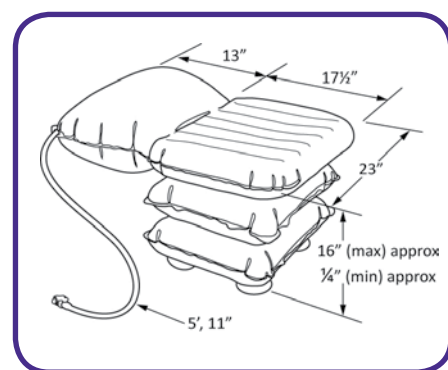


Bathing Cushion

The Bathing Cushion is used to help someone who has difficulty getting in and out of the bath tub.



Product code: MPCA030200

Easy to fit

- Fitted and removed within seconds
- Some air can be left in the backrest for greater levels of comfort
- The design adapts to the size and shape of the bath tub, so no expensive bathroom alterations are required

Simple to maintain

- Lightweight and portable, it can be removed and cleaned with ease
- Rinse with clean water after each bath and leave it to dry inflated
- Compact and easy to store
- The Riverseal® material is designed to an exceptionally high standard, with extraordinary durability, strength and performance in the toughest environments.

Safe to use

- Only lowers a person into the bath tub if there is enough battery power to raise them back out again
- Battery operated – no electric cables
- Fully waterproof hand control (IP67)

Improves wellbeing

- Perfect for a person who has difficulty getting in and out of the bath tub
- The cushion deflates allowing the user to lie flat in the bath tub, fully covered in water so benefiting from the therapeutic properties of bathing
- The user can take the bathing cushion with them when travelling away
- Can be removed from the bath tub when not in use so enabling a more flexible environment for shared bathrooms

Technical Specifications

Max user weight	336 lbs
Max height	15 ¾"
Min height	Flat
Seat depth	17 ½"
Width	23"
Total product weight	4 ½ lbs
Back/headrest length	13 ¾"
Airflo Compressor	12
Lifting performance per charge	8 lifts (4 bathing cycles)

Lighthouse Medical Ltd,

#3, 91 Golden Drive, Coquitlam, BC V3K 6R2

Ph: 1-866-609-6827

Fx: 1-866-614-5619

www.lighthousemedicaltd.com