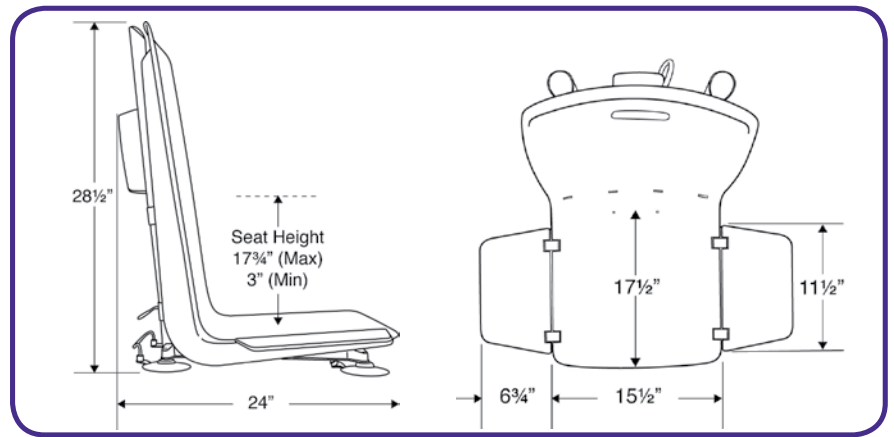


Archimedes Bath Tub Lift

The Archimedes Bath Tub Lift will lower a person into a bath tub, on a fixed position seat, using a battery powered hand control.



Lifting capacity to 364 lbs



Product code: LAA3702A

Easy to fit

- Simple to fit – separates into three pieces, making it portable and lightweight
- Fits further back in the bath tub to maximise leg room and avoid most bath tub handles and anti-slip coatings
- Unique 4 way quick release suckers make removing the Bath Tub Lift simple – reducing strain on your back
- Lowers within 3" of the bottom of the bath tub

Simple to maintain

- The easy to clean steel base unit has been designed with a structure that maintains strength whilst reducing weight
- Divides into three so it can be removed and cleaned with ease

Safe to use

- Unique flexible flaps that bend on contact with an obstruction, limiting the damage caused by entrapment
- Flaps have an anti-pinch design, eliminating the risk of skin being trapped between the seat and the flap on transfer
- Only lowers a person into the bath tub when there is sufficient battery power to raise them back out again
- Battery operated – no electric cables
- Fully waterproof hand control (IP67)

Improves wellbeing

- Bathing can reduce pain and promote a feeling of wellbeing
- Equipment will reduce the amount of moving and handling required from a carer
- Can be removed from the bathtub so enabling a more flexible environment for shared bathrooms

Technical Specifications

Max user weight	364 lbs
Max height	17"
Min height	2 1/2"
Seat depth	17 1/2"
Total length	24"
Width (ex side flaps)	15 1/2"
Width of side flap	6 3/4"
Total product weight	22 lbs
Back/headrest length	26"

Lighthouse Medical Ltd,

#3, 91 Golden Drive, Coquitlam, BC V3K 6R2

Ph: 1-866-609-6827

Fx: 1-866-614-5619

www.lighthousemedical.com