

Protekt® Lite

PORTABLE LIFT

NEW!

ELECTRIC FULL BODY FOLDING PATIENT LIFT

The Proactive full body folding patient lift represents a new standard in full body lifts for individuals who travel or have storage issues in their home. The small foot print is ideal for home use. It easily folds up to fit in most automobile trunks for transport or travel.



PUSH HANDLES



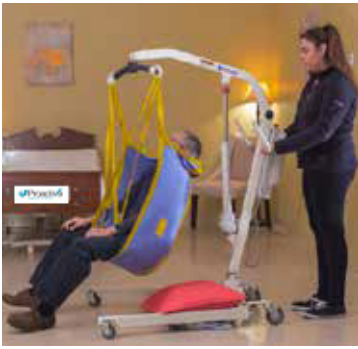
FITS IN CAR TRUNK



ROLLS ON CASTERS

- Portable and foldable for easy storage and transportation .
- Lightweight and easy to move (83 lbs).
- Tool-Free assembly and disassembly.
- Battery powered with a high-capacity battery pack.
- Optional scale available.
- Optional spare battery and wall charger available
- 400lb weight capacity.
- Low battery and overload warning alarm.
- Built in battery gauge.
- Emergency stop button.

30400PLEF



30400PLEF BEING USED
STANDING ON THE FLOOR



30400PLEF BEING USED ON
THE BED



30400PLEF BEING USED
WITH A WHEELCHAIR

DIMENSIONS

| Key Dimensions of 30400PLEF | |
|-----------------------------|---------------|
| Maximum capacity | 400Lb / 180Kg |
| Base legs length | 41.6" |
| Base closed external width | 25.8" |
| Based open external width | 37.7" |
| Mast height | 47.5" |
| Base height | 4.5" |
| Min. lifting height | 27.4" |
| Max. lifting height | 67.2" |
| Net weight | 83Lb / 38Kg |
| Shipping weight | 106Lb / 48Kg |

* SPECIFICATIONS PROVIDED ARE A GENERAL GUIDELINE
AND ARE SUBJECT TO CHANGE WITHOUT NOTICE

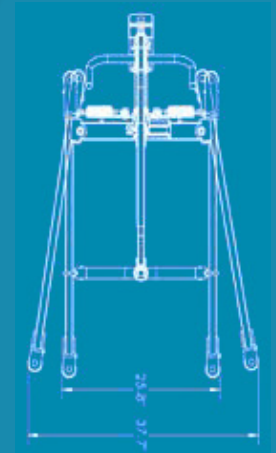
WARRANTY:

Electronics 2 years Frame 3 years

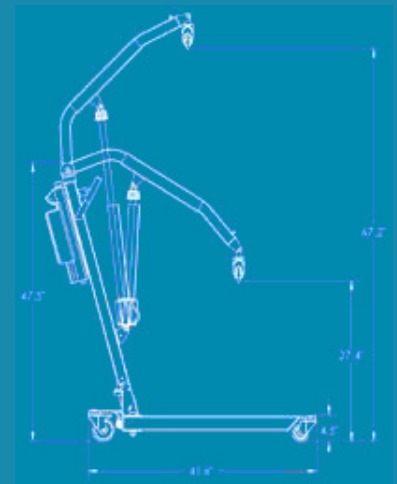
SCALE OPTION:

Digital scale available on all Protekt®

Patient Lifters. Comes with all
necessary hardware.



TOP VIEW OF
30400PLEF



SIDE VIEW OF
30400PLEF



FOLDED AND FLAT



FOLDED AND STANDING

